

SpaceSaver™ II WIRELESS DELI MOULDING

The next generation of label display hardware for packaged cheese and lunch meats.

The Solution

Package graphics are clearly visible.

▼ SpaceSaver II – attractive, easy-to-read display.



Your customers require prices that are easy to find and read. Your clerks must have labels that are conveniently placed and correctly identify the merchandise location. Does your current system provide these key ingredients or does it make it difficult to shop, reorder and stock? The patented SpaceSaver II brings you the latest concept in product identification for the pegged deli section. It will significantly reduce your cost while providing clear and accurate information to your customers and clerks.

The net result is greater profits!

"... easy to install and we saw an immediate 4° drop in temperature ... product shrink has been reduced."

—Ray's Food Place

"... improved temperature, improved appearance, easily shopped, easily stocked, easy to install..."

—Safeway, Arizona

The Problem

Typical "flap" display; disorganized and missing tags.

Yellow "Flags" – caution, prices are confusing.



Thin Plastic Baffle Improves Cold Air Flow

- * No lost display space!
- * Reduces "shrink," increases profits.
- * Increases energy efficiency, reduces costs.
- * Fresher product, satisfied customers.
- * Minimize liability exposure.

Clear Tag Moulding

- * Improved appearance, creates uniform label display.
- * Accepts shelf talkers and frames; increase promotional sales.
- * Product graphics easily read.

Clear Baffle

- * Easy to install.
- * Low cost; installed by store clerks.
- * No vertical adjustment of peg bars!
- * Light penetrates; bright display.

Flexible Baffle

- * Easy to stock.
- * Easy to shop.

Universal

- * Fits all common peg bar systems.

Durable Components

- * Made of super tough, food grade PETG plastic; ideal for low temperatures.



For more information, please call us toll-free at (800) 227-7615



SpaceSaver™ II WIRELESS DELI MOULDING

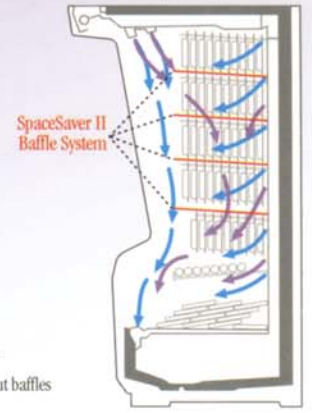
The SpaceSaver II System starts with the basic kit, shown here, composed of three Adaptor Clips, one 48" Baffle and one 48" Moulding. Adaptors fit the major peg bar systems. Baffles are made to match standard peg lengths. Mouldings are

The SpaceSaver II System available in either up or down styles and each of those for adhesive-backed or paper label formats. For long runs, optional Splicers enhance the strength and appearance of the system. Assembly is quick. Stocking and shopping are easy.

Optimal Air Flow Maintains Product Quality

SpaceSaver II Baffles act like standard shelving to provide good air flow. Blue arrows indicate air curtain with baffles; packages are kept at correct temperature. Purple arrows show turbulent air flow without baffles. Warm air is pulled into the case; spoilage occurs.

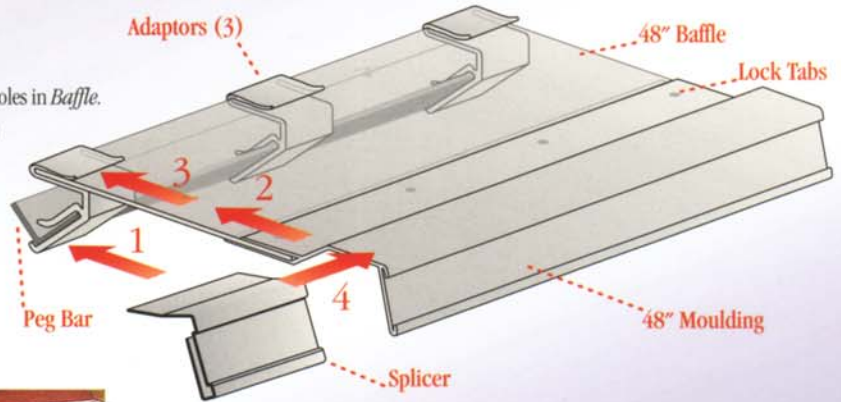
- Air flow pattern with baffles
- Turbulent air pattern without baffles



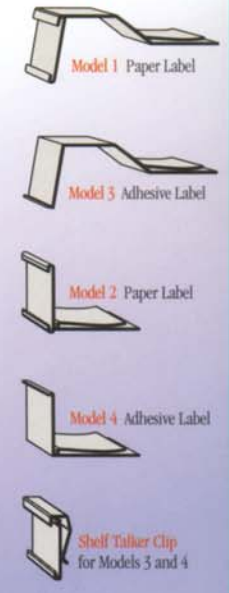
To Assemble:

1. Snap Adaptor Clips onto peg bar.
2. Engage Moulding locking tabs with holes in Baffle.
3. Insert Baffle/Moulding Assembly into Adaptors.
4. Slide Splicer onto Moulding for long runs.
5. Attach optional Shelf Talker Clip to Models 3 or 4 Mouldings as needed.

[Shown with Oscar Mayer bar and Model 1 Moulding for 1 1/4" paper labels.]

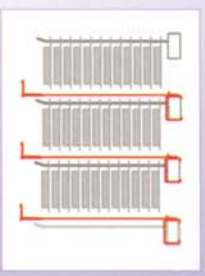


Mouldings



Model 2: Price above or below product; peg tip unobstructed. Shown with splicer.

Model 2 or 4 Mouldings are typically used above the product. To price below, like a shelf, add a dummy peg bar under the bottom row of product. Support the bottom SpaceSaver II by installing four empty merchandise pegs. Use "Arrow" shelf tags if necessary.



Adaptor Clips



How to Order:

1. Measure the overall length, tip to tip, of your merchandise peg.
2. Determine your bar type and quantity.
3. Select your moulding style from the illustrations.
4. Determine the number of splicers required for continuous runs.
5. Use the table to select the stock number and price.

Bar Type	Peg Length		Stock Number				Lbs/Set
	Overall	Hang	Model 1	Model 2	Model 3	Model 4	
Cannon/Kraft	10"	8"	WDM1-1-8	WDM2-1-8	WDM3-1-8	WDM4-1-8	2.0
Oscar Mayer	11"	8"	WDM1-3-8	WDM2-3-8	WDM3-3-8	WDM4-3-8	2.0
Cannon/Kraft	12"	10"	WDM1-1-10	WDM2-1-10	WDM3-1-10	WDM4-1-10	2.3
Oscar Mayer	13"	10"	WDM1-3-10	WDM2-3-10	WDM3-3-10	WDM4-3-10	2.3
Cannon/Kraft	14"	12"	WDM1-1-12	WDM2-1-12	WDM3-1-12	WDM4-1-12	2.6
Oscar Mayer	15"	12"	WDM1-3-12	WDM2-3-12	WDM3-3-12	WDM4-3-12	2.6
Cannon/Kraft	17"	15"	WDM1-1-15	WDM2-1-15	WDM3-1-15	WDM4-1-15	2.9
Oscar Mayer	18"	15"	WDM1-3-15	WDM2-3-15	WDM3-3-15	WDM4-3-15	2.9

Accessories
 Model WDM51 Splicers.
 Model UT1.25R-20, 1 1/4" Red "Arrow" Shelf Tags.
 Model WDMST1-1.5 Shelf Talker Clip for Models 3 and 4.

A set consists of one 48" Moulding, three Adaptors, and one 48" Baffle. Different models may be combined for quantity pricing. Eckerich and Hussmann models are special order, 100 minimum; prices upon request.



8386 Capwell Drive • Oakland, CA 94621
 (510) 567-1600 • FAX (510) 567-1830 • (800) 227-7615